



Often, conductive structures like pipelines, data lines and physical entities such as fencing and barriers, run parallel to Overhead or Underground power transmission lines. In these situations, dangerous and damaging voltages can be induced as a function of normal operating or fault currents.

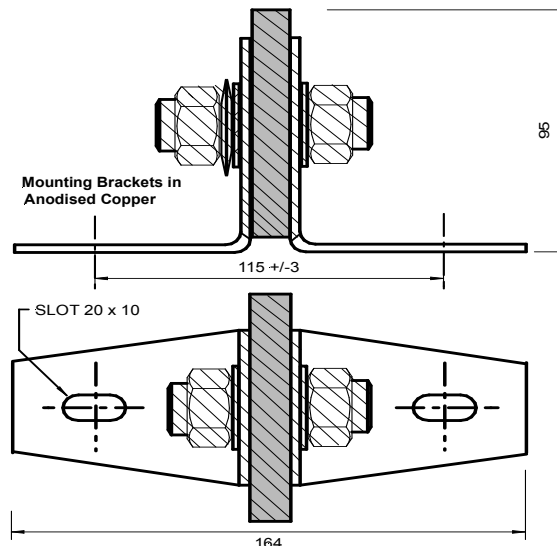
The effects of such conditions can be successfully mitigated with the use of correctly rated Sheath Voltage Limiting devices (sample illustrated SVL16) that are bonded between cable sheaths and a ground continuity conductor.

PD Devices design and manufacture a range of these devices and ratings can usually be designed to suit any given application. Typical operating parameters, as for the SVL16 above, would include :

Maximum Continuous Operating Voltage.....1250Vrms

Rated Voltage for 2 secs.....1600Vrms

Residual Voltage at 10kA (8/20us impulse).....<4.5kV.



For any design requirement and / or query regarding this product Series please contact our Customer Service Department on +44 (0)1364 649248 to discuss further.

PD Devices Ltd. Old Station Yard,
 South Brent, Devon TQ10 9AL.
 T: +44 (0)1364 649248
 F: +44 (0)1364649250
 E: contact@pddevices.co.uk